

RKA 95 1/4 - 1 POLE



087520-0-3

TERMINAL CROSS SECTION

4 x 95 mm² - 16 mm² (3/0 - 6 AWG)
70 mm² - 10 mm²

- > modular system
- > user-defined stackable
- > to fit on DIN rail TS 35 or installation plate

MEASUREMENT CONNECTION

2 x 10 mm² - 1,5 mm² (8 - 16 AWG)
6 mm² - 1,5 mm² (10 - 16 AWG)



087520-1-3



087520-2-3



087520-3-3



087520-4-3

AL / CU

RKA 95 1/6 - 1 POLE



087560-0-3

TERMINAL CROSS SECTION

6 x 95 mm² - 16 mm² (3/0 - 6 AWG)
70 mm² - 10 mm²

- > modular system
- > user-defined stackable
- > to fit on DIN rail TS 35 or installation plate

MEASUREMENT CONNECTION

3 x 10 mm² - 1,5 mm² (8 - 16 AWG)
6 mm² - 1,5 mm² (10 - 16 AWG)



087560-1-3



087560-2-3



087560-3-3



087560-4-3

AL / CU

For aluminium and copper conductors (Al/Cu)



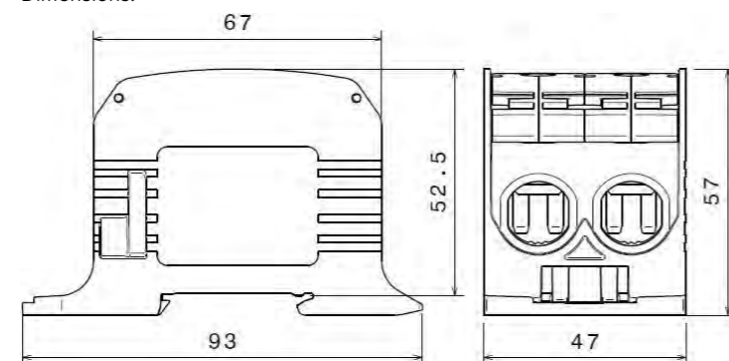
NOMINAL VOLTAGE	NOMINAL CURRENT	STANDARDS
1000 V AC/DC	232 A Cu	IEC 60947-7-1
1000 V AC/DC	200 A Al	EN 61238-1
600 V	200 A Cu / 155 A Al	UL-1059 / CSA C22.2 No.158-10

Model	Part No.	Type	PU	GTIN / EAN
RKA 95 1/4 for aluminium/ copper conductors	087520-0-3	RKA 95 1/4 L G	1/18	4051589875202
	087520-1-3	RKA 95 1/4 N	1/18	4051589875219
	087520-2-3	RKA 95 1/4 PE	1/18	4051589875226
	087520-3-3	RKA 95 1/4 L B	1/18	4051589875233
	087520-4-3	RKA 95 1/4 L S	1/18	4051589875240
	Accessories			
	087500-0-0	dust cover for RKA 95 series	20/360	4051589875004



087500-0-0

Dimensions:



For aluminium and copper conductors (Al/Cu)



NOMINAL VOLTAGE	NOMINAL CURRENT	STANDARDS
1000 V AC/DC	232 A Cu	IEC 60947-7-1
1000 V AC/DC	200 A Al	EN 61238-1
600 V	200 A Cu / 155 A Al	UL-1059 / CSA C22.2 No.158-10

Model	Part No.	Type	PU	GTIN / EAN
RKA 95 1/6 for aluminium/ copper conductors	087560-0-3	RKA 95 1/6 L G	1/12	4051589875608
	087560-1-3	RKA 95 1/6 N	1/12	4051589875615
	087560-2-3	RKA 95 1/6 PE	1/12	4051589875622
	087560-3-3	RKA 95 1/6 L B	1/12	4051589875639
	087560-4-3	RKA 95 1/6 L S	1/12	4051589875646
	Accessories			
	087500-0-0	dust cover for RKA 95 series	20/360	4051589875004



087500-0-0

Dimensions:

